

# BROEN BOSS

- flow adjustable quick connect 5.0






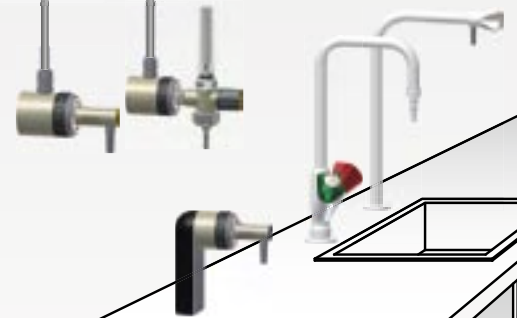
## BROEN

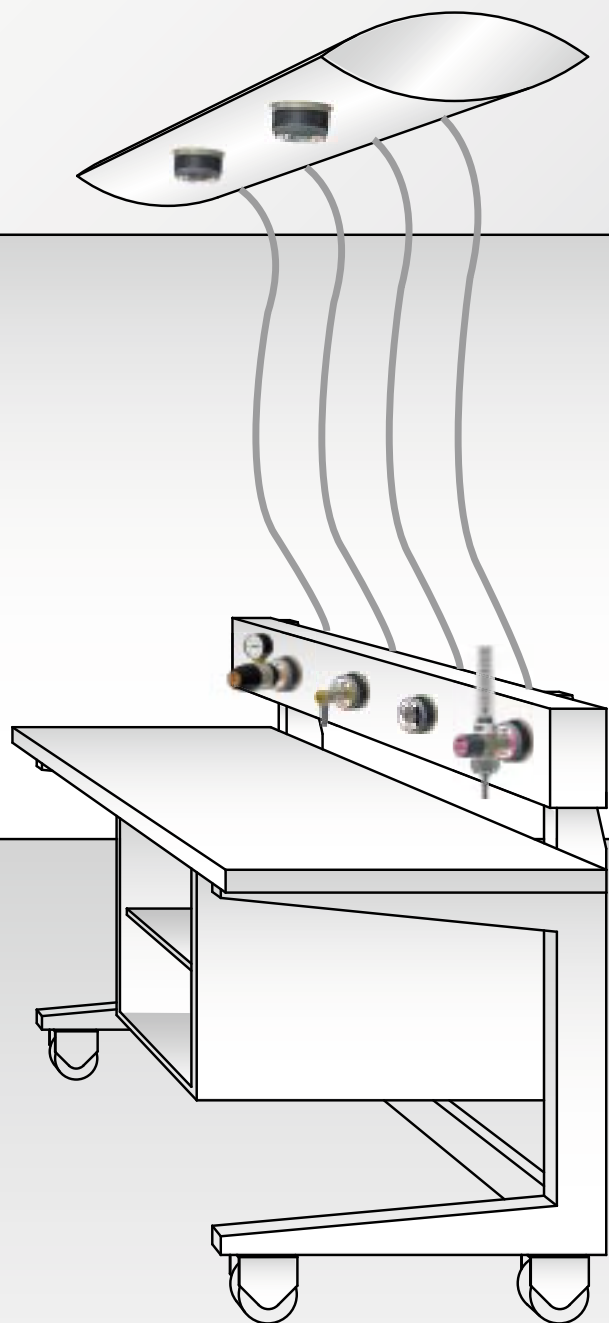
*for the Professional user*

# BROEN BOSS

## - contents

Table of Contents	2
Advantages	4
Quick connect 	5
Quick connect Accessories 	6
Quick connect Accessories 	7
Technical Specifications	7
Mounting Information	8
Accessory Dimensions	9





# BROEN BOSS

## - advantages

### - Advantages for the End User:

- For the flexible laboratory.
- Reduces downtime.
- Innovative and compact design.
- Combined flow valve and quick connect.
- Key system protects against undesired mix of media, 11 keys are available.
- Clear media indication.
- Possibility of attaching additional equipment: Flow meters, pressure regulators, etc.
- Non return valve in outlets protects against contamination of equipment.
- Valve "locked" with no plug inserted.
- Integrated parking position.
- Gasket that seals between outlet and quick connect replaceable without disassembling the quick connect.

### - Advantages for the Architect & Furniture Producer:

- Flexible and compact design increases size of "working area".
- Last minute determination of media possible.
- The number of fittings can be reduced thanks to the flexibility of the quick connect.

### - Advantages for the Plumber:

- Simple and rational installation.
- 6 different methods of installation.
- Last minute change of media possible (Prior to start of use).
- It is easy to install an extra quick connect in the laboratory, using the version: exposed piping.



# BROEN BOSS

## - quick connect

### Built in

No. 070XX51



Backside inlet:  
1/4" NPT female

See dimensions on page 8

### Panel mounted, concealed piping

No. 070XX52



Backside inlet:  
1/4" NPT female

See dimensions on page 8

### Panel mounted, exposed piping

No. 070XX53



Side inlet:  
1/4" NPT female

See dimensions on page 8

### Bench mounted / suspended mounting

No. 070XX54



Inlet:  
1/4" NPT female

See dimensions on page 8

### Label: American recommendation

Media	Air	Vac	O <sub>2</sub>	N <sub>2</sub>	CO <sub>2</sub>	H <sub>2</sub>	Ar	He	Not specified	Not specified	Not specified
	0700251	0700351	0700451	0700551	0700651	0700751	0700851	0700951	0701051	0701151	0701251
	0700252	0700352	0700452	0700552	0700652	0700752	0700852	0700952	0701052	0701152	0701252
	0700253	0700353	0700453	0700553	0700653	0700753	0700853	0700953	0701053	0701153	0701253
	0700254	0700354	0700454	0700554	0700654	0700754	0700854	0700954	0701054	0701154	0701254

Label: According to standard EN13792:2002 also available.

# BROEN BOSS

## - quick connect accessories

**90° outlet with serrated hose nozzle**

No. 075XX00



See dimensions on page 9

**90° outlet with 1/4" NPT female**

No. 075XX10



1/4" NPT female See dimensions on page 9

**Flow meter**

No. 075XX3X\*



See dimensions on page 9

**Straight outlet**

No. 070XX00



1/4" NPT male See dimensions on page 9

**Pressure regulator**

No. 075XX2X\*\*



See dimensions on page 9

**\*Flow meter**

Last X in part number is designated flow range:

X	1	2	3
flow range	0-6 l/min	0-15 l/min	0-30 l/min

**\*\*Pressure regulator**

Last X in part number is designated pressure range:

X	1	2	3	4	5	6
press. range	0-75 psi	0-150 psi	0-5 bar	0-10 bar	0-50 kPa	0-100 kPa

Label: American recommendation

Media	Air	Vac	O <sub>2</sub>	N <sub>2</sub>	CO <sub>2</sub>	H <sub>2</sub>	Ar	He	Not specified	Not specified	Not specified
Model											
	0755100	0755200	0755300	0755400	0755500	0755600	0755700	0755800	0755900	0756000	0751100
	0755110	0755210	0755310	0755410	0755510	0755610	0755710	0755810	0755910	0756010	0756110
	0707100	0707200	0707300	0707400	0707500	0707600	0707700	0707800	0707900	0708000	0708100
	075513X*	-	075533X*	075543X*	075553X*	075563X*	075573X*	075583X*	-	-	-
	075512X**	-	075532X**	0755442X**	075552X**	075562X**	075572X**	075582X**	075592X**	075602X**	075612X**

Label: According to standard EN13792:2002 also available.

# BROEN BOSS

## - quick connect accessories

### Wall bracket

No. 0213502



See dimensions on page 8

### Hose outlet-thread

No. 070XX11



1/4" NPT male

### Hose thread-thread

No. 0709013



1/4" NPT male / 1/4" NPT male

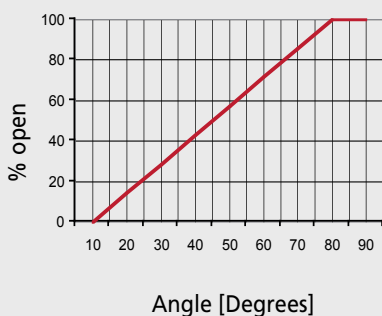
Label: American recommendation

Media	Air	Vac	O <sub>2</sub>	N <sub>2</sub>	CO <sub>2</sub>	H <sub>2</sub>	Ar	He	Not specified	Not specified	Not specified
Model											
o-t	0213502 for all media										
o-t	0709111	0709211	0709311	0709411	0709511	0709611	0709711	0709811	0709911	0710011	0710111
t-t	0709013 for all media										

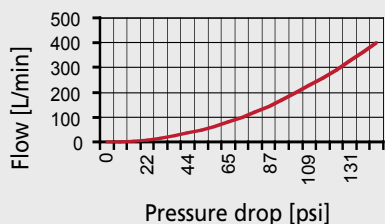
Label: According to standard EN13792:2002 also available.

## - technical specifications

### Regulating characteristic



### Consumption (100% open)



### Quick connect

Operating pressure: -1 Bar < X ≤ 10 bar.  
-14.5 psi < X ≤ 145 psi.

Purity: 5.0 (Only obtainable if system is purged when reconnected).

Operating temperature: 0°C < X ≤ 60°C.  
32°F < X ≤ 140°F.

Media: Non corrosive gasses and vacuum.  
Non standard Medias must be confirmed by BROEN.

Inlet: 1/4" NPT female.

Materials in media contact: Stainless steel, brass & PVDF.

Gaskets: Viton.

External parts: Stainless steel, chemical nickel plated brass & EPDM rubber.

### Accessories

Wall bracket: Chemical nickel plated brass.

### Outlets

Materials: Stainless steel and chemical nickel plated brass.

Gaskets: Viton.

### Hoses

Materials: Stainless steel wire braded PTFE hose.

Operating pressure: -1 Bar < X ≤ 10 bar.  
-14.5 psi < X ≤ 145 psi.

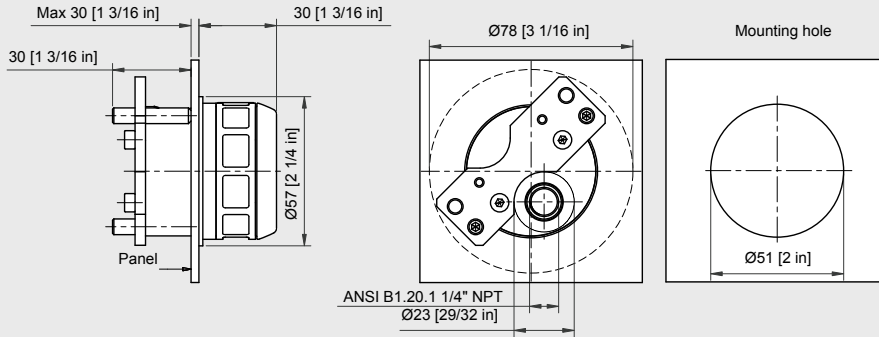
Threaded ends: 1/4" NPT male.

Hose length: 1.5 m / 4.9 ft.  
(Other lengths are available on request).

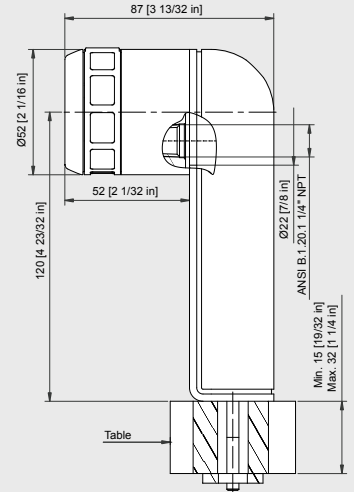
# BROEN BOSS

## - mounting information

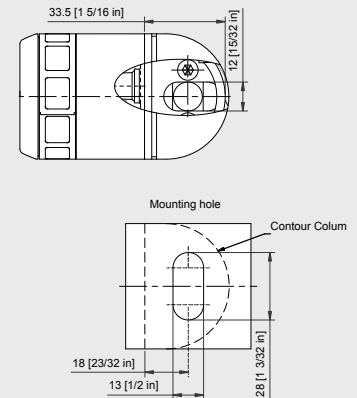
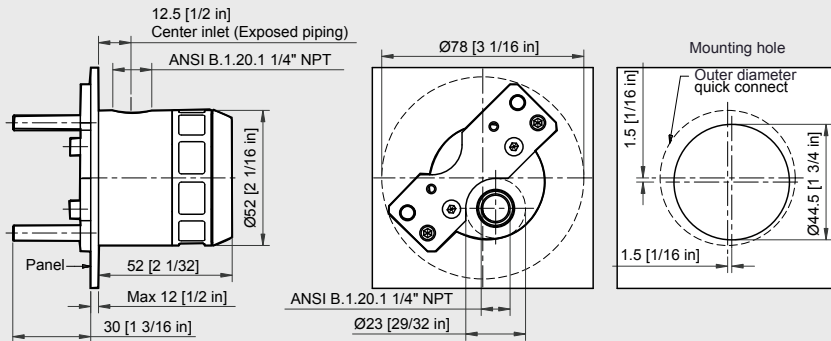
### Built in: No. 070XX01



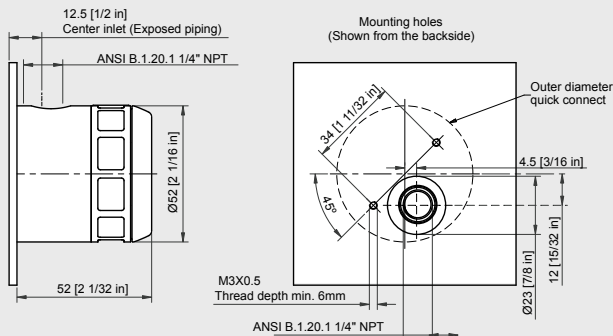
### Bench & suspended mounted: No. 070XX04



### Panel mounted, concealed & exposed piping 070XX02 & 070XX03. Mounted from the backside

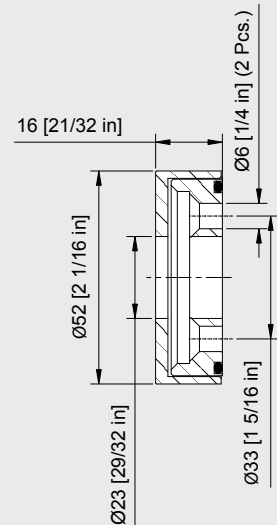


### Panel mounted, concealed & exposed piping 070XX02 & 070XX03. Mounted from the frontside



### Wall bracket:

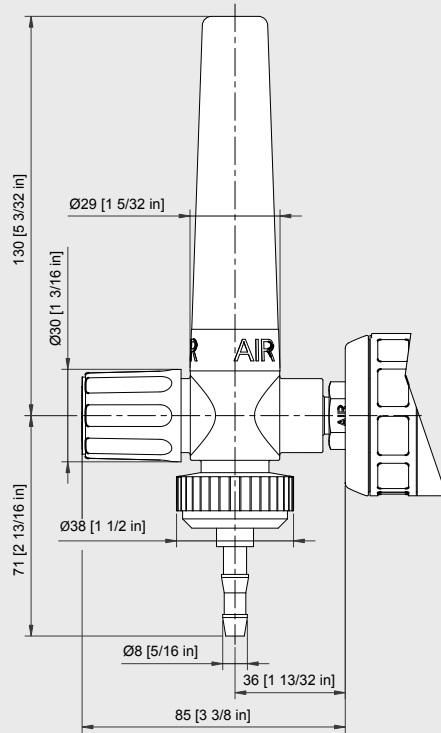
No. 0213502



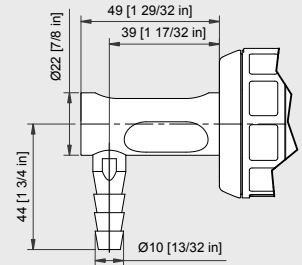
# BROEN BOSS

## - accessory dimensions

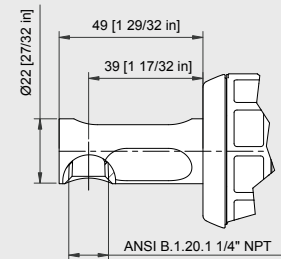
**Flow meter: No. 070XX3X**



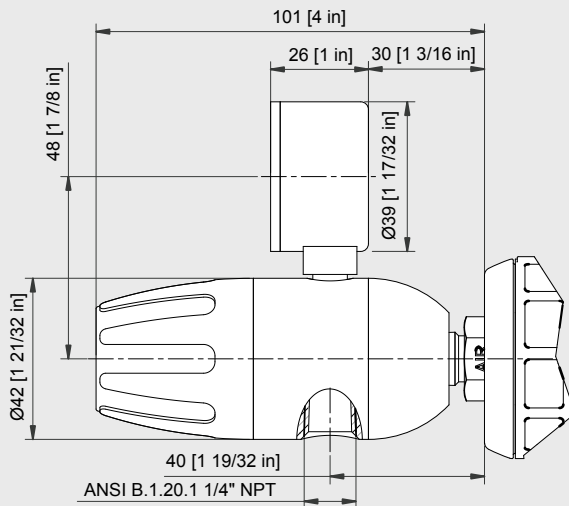
**90° outlet: No. 070XX00**



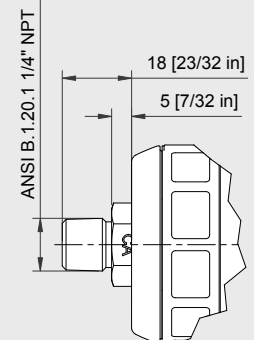
**90° outlet: No. 070XX10**



**Pressure regulator:  
No. 070XX2X**



**Straight outlet:  
No. 070XX00**





BROEN LAB GROUP manufacture and market a wide range of quality products for high performance flow regulation. The products primarily apply to the professional user in all types of laboratories, the educational sector, the health sector, the pharmaceutical industry and industry in general.



BROEN LAB DIVISION  
ISO 9001 certification  
In September 1991 BROEN LAB DIVISION was certified according to ISO 9001 as one of the first Danish companies. The certification was carried out by Bureau Veritas, Denmark.

The quality management system of BROEN LAB DIVISION now complies with detailed specifications laid down by the internationally acknowledged EN ISO9001:2000. This certification will further contribute to BROEN LAB GROUP's reputation for quality and reliability.

**LABORATORY  
ENTERPRISES**

[www.labenterprises.net](http://www.labenterprises.net)  
Phone: 913-621-7337 Fax: 913-621-1827