

BROEN REDLINE

- recessed emergency showers



BROEN

for the Professional user

REDLINE

- general information

Min. working pressure (dynamic)			
kPa	k N/m ²	bar	psi
100	100	1	14.7

Max. working pressure			
kPa	k N/m ²	bar	psi
1000	1000	10	147

Other requirements
See specific models

Emergency Showers are Important

Accidents caused by fire, scalding or blistering have happened and may happen in numerous firms. At places where metal or wood is finished or at places where much dust is found, there is also a risk of eye injuries.

But the danger also lurks at schools, in laboratories, large kitchens, ships and in many other places.

Experience shows that thousands of industrial accidents happen every year in spite of precautionary measures. These accidents cause the injured acute pain, disablement and may even lead to loss of life.

The consequences of such accidents could be considerably limited by treating with water immediately.

Serious human tragedies can be avoided at a small cost and this is why any firm where there is a risk should install emergency showers.

Barrier-free Emergency Showers

The Americans with Disabilities Act (ADA) requires that employers provide accessible workplaces for all employees. These workplaces may therefore require emergency eye wash and shower equipment specially constructed to provide access for handicapped persons. Barrier-free emergency equipment must comply with the requirements of ANSI 117.1-1992 ("Accessible and Usable Buildings and Facilities").

These requirements include dimensions for minimum knee clearance, maximum height and reach, and minimum distance from obstructions.

BROEN offers an array of eye wash and shower units designed for barrier-free applications.

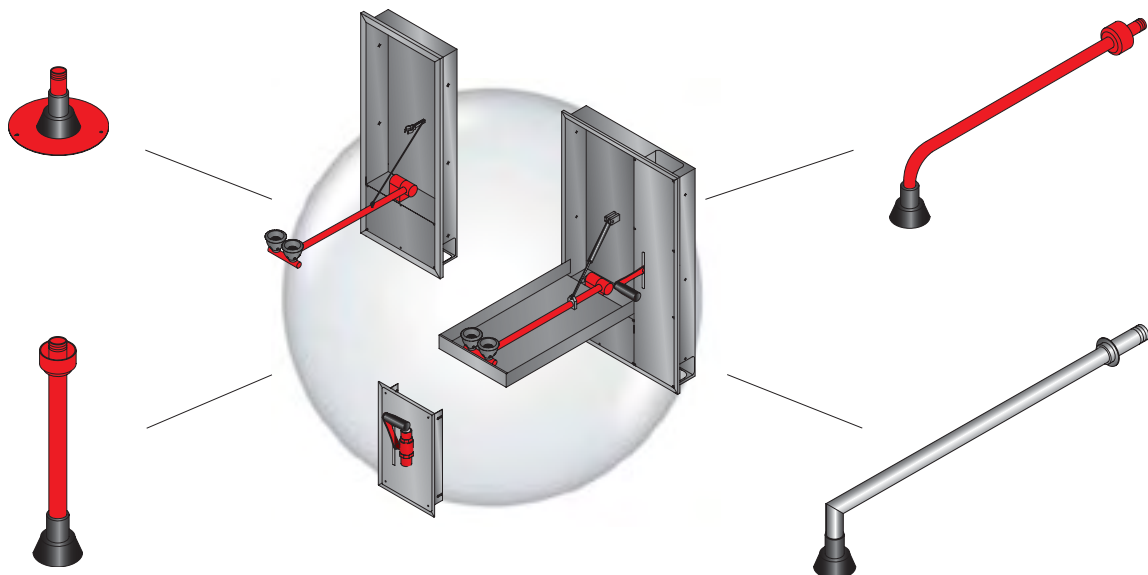
Placing and Operation of Emergency Showers

As a basic rule the shower must be placed as close to the place of work as possible. The flushing must start immediately after the accident, preferably within about 5 seconds. When placing the shower, please remember that the shower must be easy to find and that access must always be free. If a person works alone, it is also wise to install a sound and/or light alarm which begins functioning as soon as the shower is operated.

Operation

All emergency showers are constructed in a way which ensures easy operation. When activating the emergency shower the flushing continues automatically.

- flexible choice of shower outlet



Choose among 4 different body shower outlets by ordering recessed units and outlets separately to fit your exact needs of installation.

e.g. : 17 164.909 + 17 110.909

- recessed eye wash & body shower for flexible choice of shower outlet

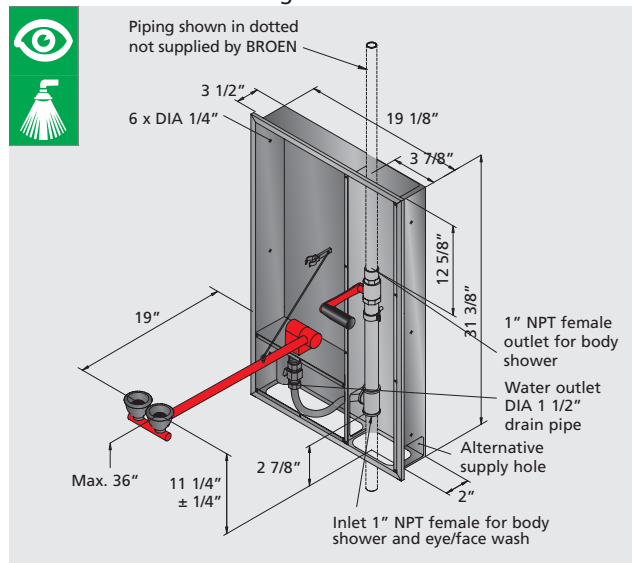
Special features body shower

- Strong construction - all brass or stainless steel.
- Maintenance free and "stay open" valve with high flow rate.
- Chemical resistant powder coating.
- Self-draining body shower head.
- Strong integrated handle for operating body shower.
- Free choice of combination between ceiling or wall mounted body shower outlet.
- Complies with American ANSI Z 358.1 - 1998 norms and the German DIN 12899 part 1.
- Easy to mount and install.
- Premounted valve for body shower.

No. 17 153.909 / 17 163.909

Barrier-free wall recessed eye wash with two outlet heads and built-in FLOWFIX that provides a soft water flow of 3.7 gpm or 14 l/min. Eye wash is activated by swinging the arm down to horizontal position. Integrated hand activating 1" valve for body shower with 4 options for shower outlet.

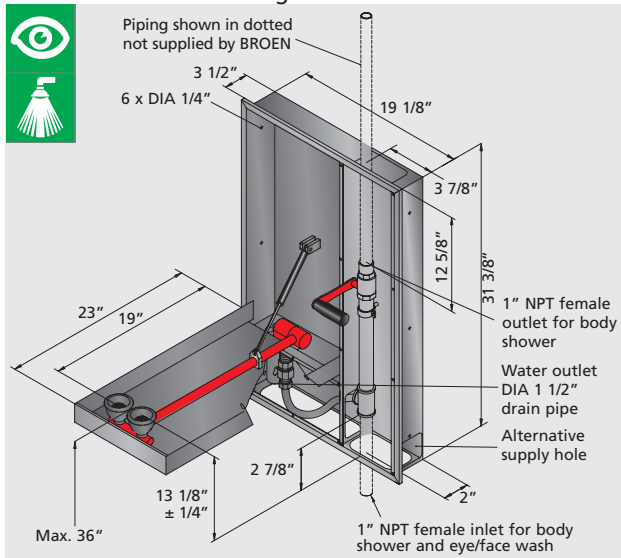
No. 17 153.909 cabinet in powder coating red.
No. 17 163.909 cabinet in glassblasted stainless steel.



No. 17 154.909 / 17 164.909

Barrier-free wall recessed eye wash with two outlet heads and built-in FLOWFIX that provides a soft water flow of 3.7 gpm or 14 l/min. Eye wash is activated by pulling down the cabinet door which catches the water and prevents it from splashing on the floor in open position. Integrated hand activating 1" valve for body shower with 4 options for shower outlet.

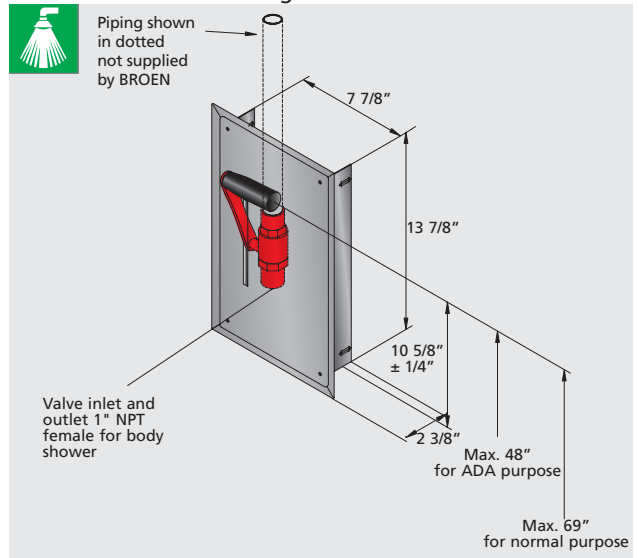
No. 17 154.909 cabinet in powder coating red.
No. 17 164.909 cabinet in glassblasted stainless steel.



No. 17 155.909 / 17 165.909

Wall recessed cabinet for hand activating of body shower with 4 options for shower outlet. 1" valve for 3/4" or 1" NPT pipe.

No. 17 155.909 cabinet in powder coating red.
No. 17 165.909 cabinet in glassblasted stainless steel.

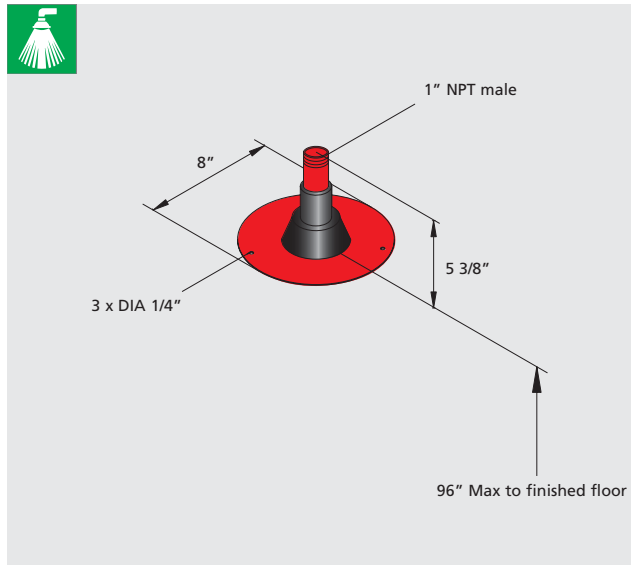


- body showers

for flexible choice of shower outlet

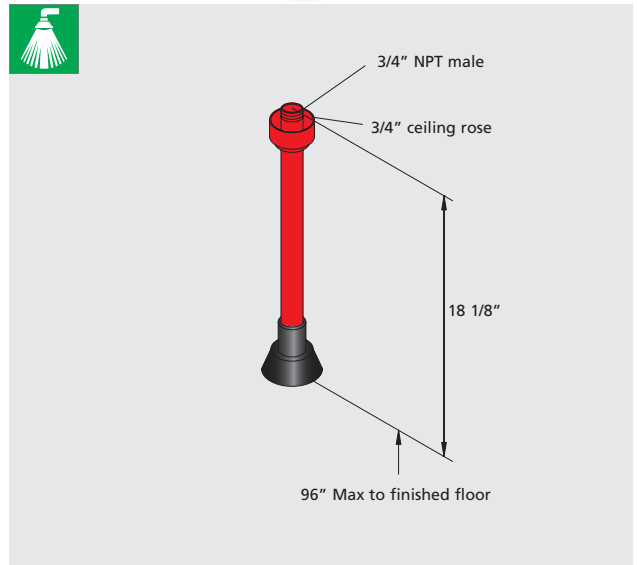
No. 17 100.909

Recessed ceiling mounted body shower outlet with self-draining shower head. Inlet 1" NPT male.



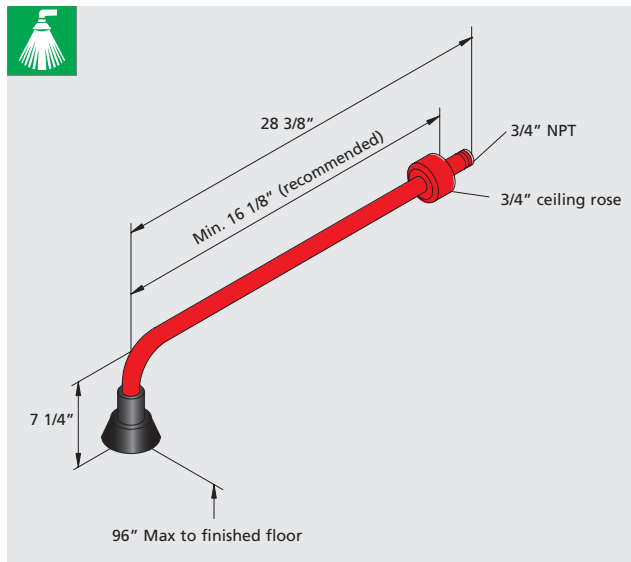
No. 17 110.909

Ceiling mounted body shower outlet with self-draining shower head. Can be fitted to different ceiling heights by moving the ceiling rose. Inlet 3/4" NPT male.



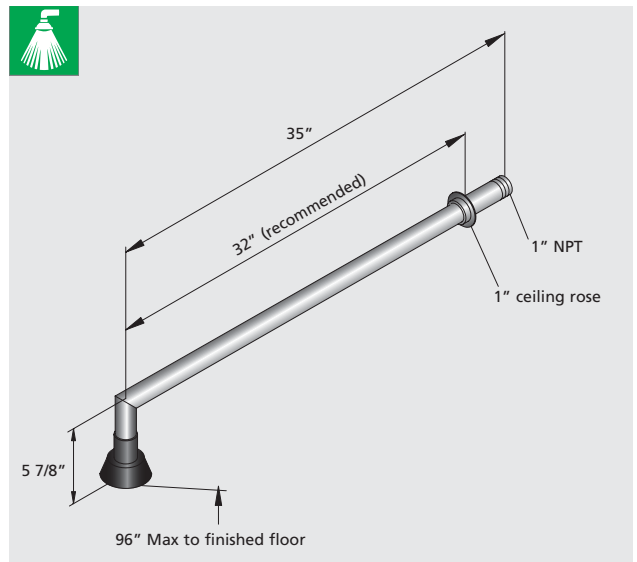
No. 17 120.909

Wall mounted body shower outlet with self-draining shower head. Inlet 3/4" NPT male.



No. 17 130.909

Wall mounted body shower outlet in stainless steel AISI 304, with self-draining shower head. Inlet 1" NPT male. Dimensions comply with the requirements of ANSI 117.1-1992 (Barrier-free)





BROEN LAB GROUP manufacture and market a wide range of quality products for high performance flow regulation. The products primarily apply to the professional user in all types of laboratories, the educational sector, the health sector, the pharmaceutical industry and industry in general.



BROEN LAB DIVISION
ISO 9001 certification
In September 1991 BROEN LAB DIVISION
was certified according to ISO 9001 as
one of the first Danish companies.
The certification was carried out by
Bureau Veritas, Denmark.

The quality management system of BROEN
LAB DIVISION now complies with detailed
specifications laid down by the internationally
acknowledged EN ISO9001:2000.
This certification will further contribute to
BROEN LAB GROUP's reputation for quality
and reliability.

**LABORATORY
ENTERPRISES**

www.labenterprises.net
Phone: 913-621-7337 Fax: 913-621-1827

